

# Spicer®

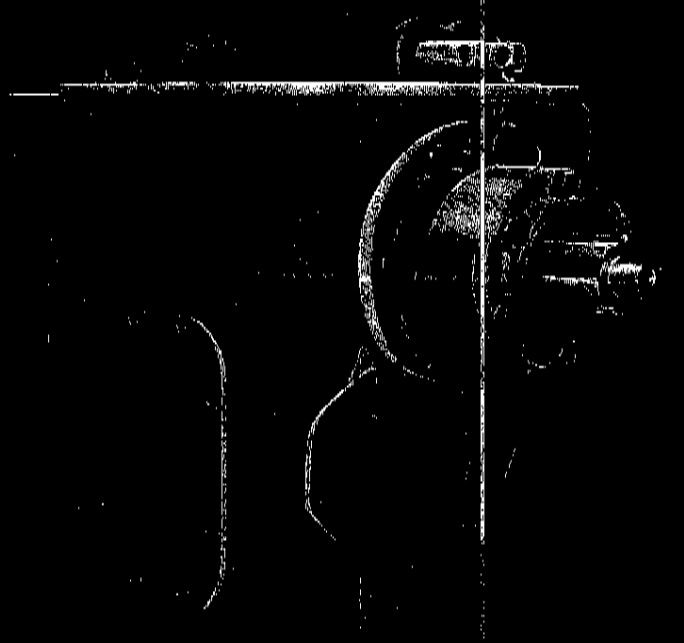
Transmission Parts List ..... T210-R8341

May, 1978  
R8341

**AUXILIARY TRANSMISSION**

Supersedes Parts List T210-43  
Dated February, 1972

## 4 SPEED AUXILIARY TRANSMISSIONS



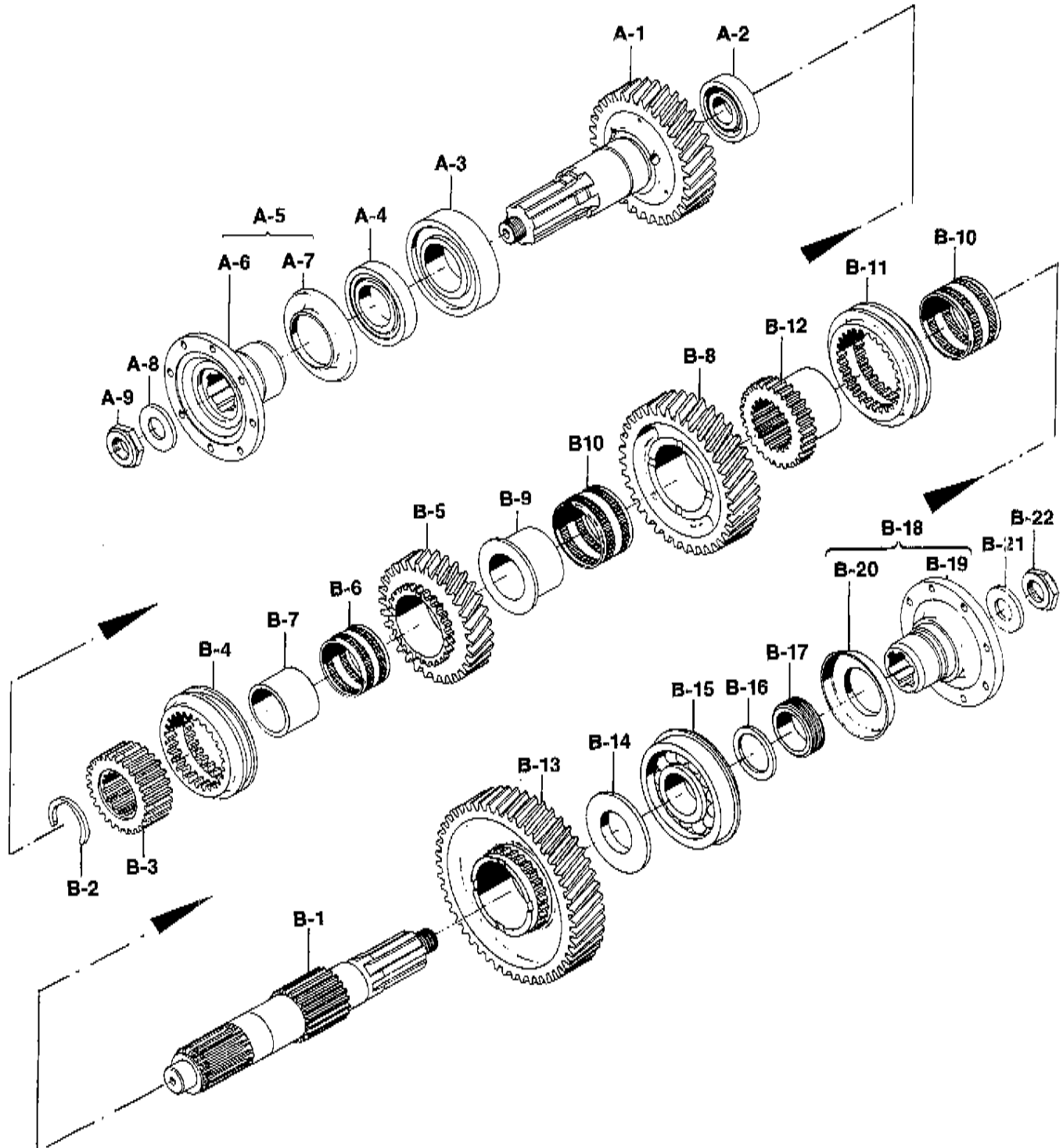
### CONTENTS

	PAGE
GEARS and RELATED PARTS .....	2-5
BEARING CAPS and RELATED PARTS .....	6 & 7
CASE GROUP .....	8 & 9
CASE CHART .....	9
SHIFTER HOUSING PARTS	
Shift Rods Forward .....	10 & 11
Shift Rods Out Both Sides .....	12 & 13
OIL COOLER KIT PARTS .....	14 & 15
REPAIR and OVERHAUL KITS .....	16 & 17
COMPANION FLANGES, FLANGE YOKES and END YOKES .....	18
RATIO TABLE .....	18
SECTIONAL VIEW (WITH PART NAME CALL-OUTS) .....	19
TABULATED BILLS OF MATERIAL .....	20-29

# 4 SPEED AUXILIARY

## Gears & Related Parts

T210-R8341



# MODEL R8341

## Gears & Related Parts

# Spicer®

## 4 SPEED AUXILIARY

T210-R8341

Ref. No.	Part No.	Part Description	Qty. Reqd.
<b>DRIVE GEAR GROUP</b>			
A-1	70-35-18	Drive Gear—(34T-6 spline)	1
A-2	550903	Bearing—drive gear pocket	1
A-3	550907	Bearing—drive gear rear	1
A-4	550906	Bearing—drive gear front	1
A-5	See Tab Bills	Companion Flange or End Yoke Assembly—front	1
A-6	See Table Pg. 18	Companion Flange or End Yoke	1
A-7	See Table Pg. 18	Flinger—drive gear front	1
A-8	184-W	Washer—drive gear nut	1
A-9	500898	Nut—1¼"-18 (2⅝" hex x ⅝") self-locking	1
<b>MAINSHAFT GROUP</b>			
B-1	70-362-14	Mainshaft	1
B-2	70-381-4	Snap Ring—3rd & 4th speed clutch gear	1
B-3	70-466-6	Gear—3rd & 4th speed clutch (26T/16T)	1
B-4	70-465-8	Clutch Collar—3rd & 4th speed (26T)	1
B-5		Gear—4th speed overdrive	1
"	70-8-48	(26T/29T) for R8341-C, F, L	
"	70-8-49	(26T/29T) for R8341-D, G, K	
"	70-8-56	(26T/28T) for R8341-E	
B-6	550920	Bearing—3rd & 4th speed double row needle	1
B-7	70-37-16	Sleeve—3rd & 4th speed gear	1
B-8		Gear—2nd speed underdrive	1
"	70-8-52	(35T) for R8341-C, E, F, L	
"	70-8-53	(36T) for R8341-D, G, K	
B-9	70-37-17	Sleeve—2nd speed gear	1
B-10	550919	Bearing—1st & 2nd speed gear double row needle	2
B-11	70-465-6	Clutch Collar—1st & 2nd speed (28T)	1
B-12	70-466-5	Gear—1st & 2nd speed clutch (28T/19T)	1
B-13		Gear—1st speed underdrive	1
"	70-8-33	(28T/48T) for R8341-C, D, E	
"	82-8-61	(28T/42T) for R8341-F, G	
"	82-8-63	(28T/45T) for R8341-K, L	
B-14	330281	Thrust Washer—1st speed gear	1
B-15	550068	Bearing—m/s rear	1
B-16	637-W	Washer—rear bearing	1
B-17	See Tab Bills	Gear—speedometer drive	1
N.S.	70-37-7	Spacer (Used in place of speedometer drive gear)	1
B-18	See Tab Bills	Companion Flange or End Yoke Assembly—rear	1
B-19	See Table Pg. 18	Companion Flange or End Yoke	1
B-20	See Table Pg. 18	Flinger—m/s rear	1
B-21	184-W	Washer—m/s nut	1
B-22	500898	Nut—1¼"-18 (2⅝" hex x ⅝") self-locking	1

N.S.—Not Shown

# Spicer®

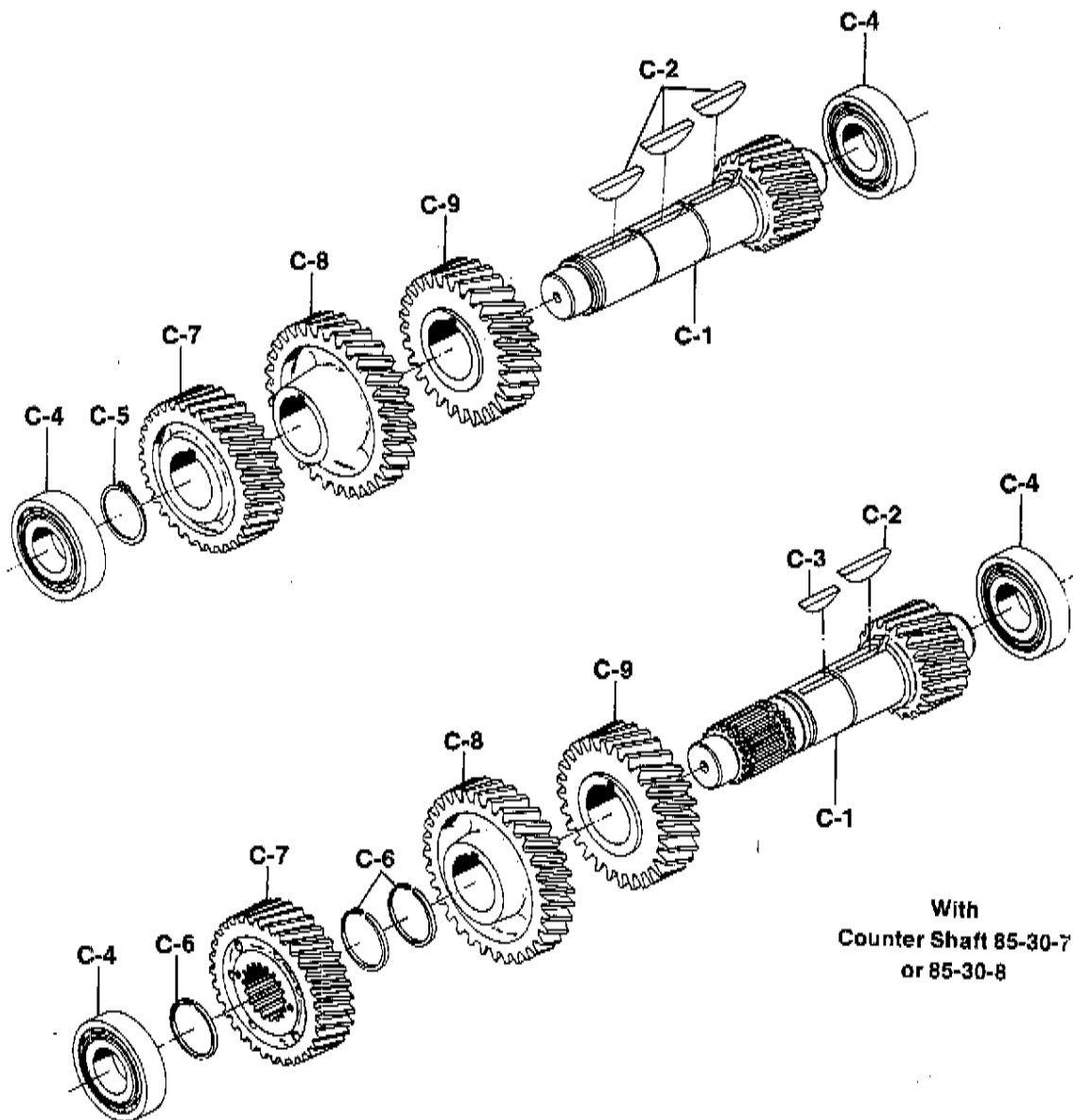
4 SPEED AUXILIARY

## MODEL R8341

Gears & Related Parts

T210-R8341

With  
Counter Shaft 70-30-28



With  
Counter Shaft 85-30-7  
or 85-30-8

# MODEL R8341

## Gears & Related Parts

# Spicer®

## 4 SPEED AUXILIARY

### T210-R8341

Ref. No.	Part No.	Part Description	Qty. Reqd.
<b>COUNTERSHAFT GROUP</b>			
C-1		Countershaft .....	1
"	70-30-28	(19T) for R8341-C, D, E	
"	85-30-7	(18T/25T) for R8341-F, G	
"	85-30-8	(18T/21T) for R8341-K, L	
C-2	500010-19	Woodruff Key # 30—with countershaft 70-30-28 .....	3
"	"	Woodruff Key #30—with countershaft 85-30-7 or 85-30-8	1
C-3	500010-11	Woodruff Key #TX—with countershaft 85-30-7 or 85-30-8	1
C-4	550905	Bearing—c/s front & rear .....	2
C-5	70-381-6	Snap Ring .....	1
C-6	70-381-7	Snap Ring .....	3
C-7		Gear—c/s drive .....	1
"	70-1-15	(32T) for R8341-C, D, E	
"	70-1-13	(32T/18T) for R8341-F, G, K, L	
C-8		Gear—4th speed overdrive (p.t.o. drive gear) .....	1
"	70-196-25	(33T) for R8341-C	
"	70-196-26	(33T) for R8341-F, L	
"	70-196-27	(34T) for R8341-D	
"	70-196-28	(34T) for R8341-G, K	
"	70-196-30	(35T) for R8341-E	
C-9	70-196-29	Gear—2nd speed underdrive .....	1

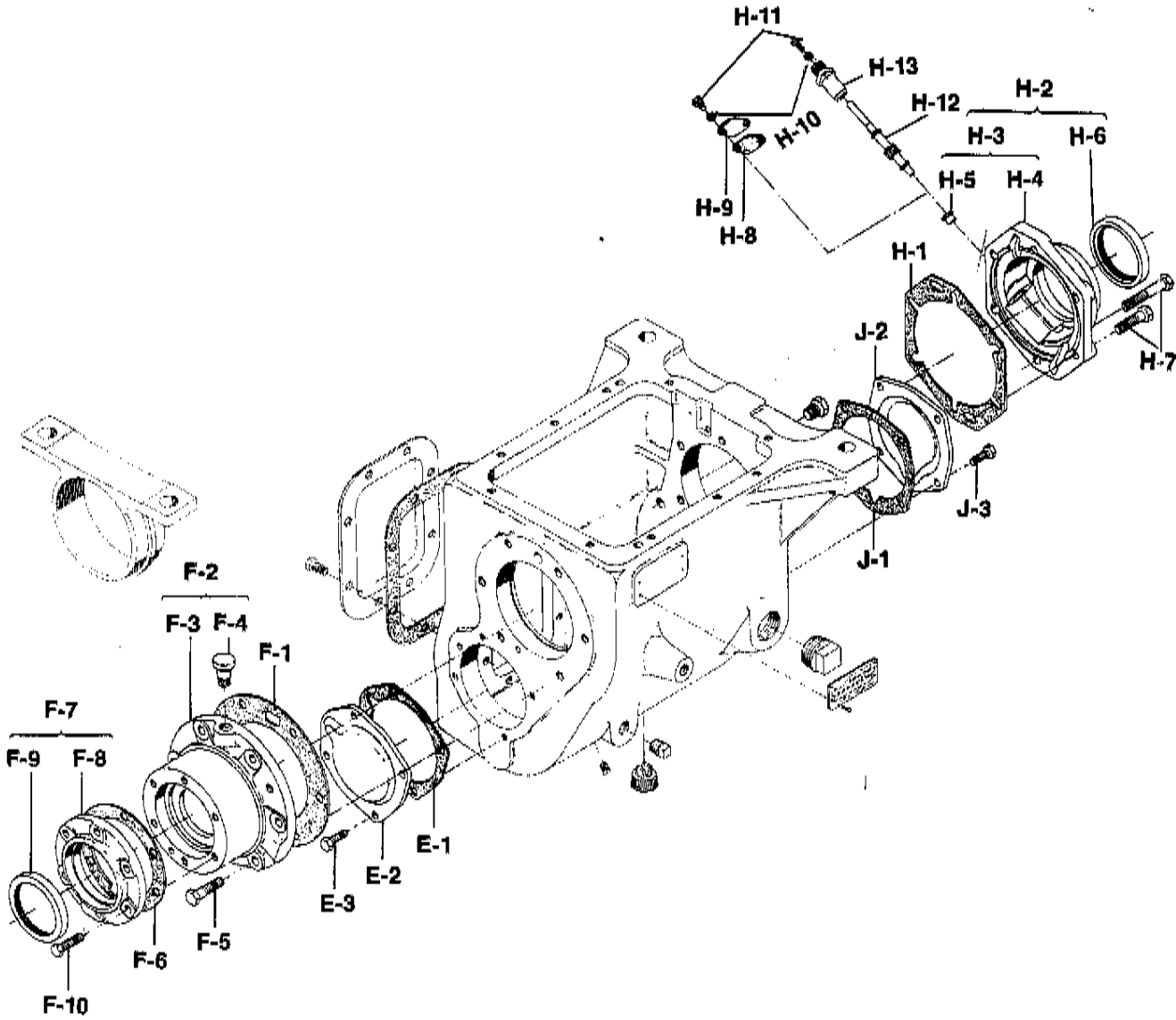
# Spicer®

4 SPEED AUXILIARY

## MODEL R8341

Bearing Caps and Related Parts

T210-R8341



Case Group & Related Parts shown on pages 8 and 9.

**MODEL R8341****Spicer®****T210-R8341****Bearing Caps and Related Parts****4 SPEED AUXILIARY**

Ref. No.	Part No.	Part Description	Qty. Reqd.
<b>COUNTERSHAFT FRONT BEARING CAP GROUP</b>			
E-1	70-223-28	Gasket .....	1
E-2	70-22-8	Cap .....	1
E-3	545002-4	Bolt— $\frac{3}{8}$ "—16 x $1\frac{1}{8}$ " hex head self locking .....	4
<b>DRIVE GEAR BEARING CAP GROUP</b>			
F-1	70-223-29	Gasket—front bearing cap .....	1
F-2	70-19-42-1X	Cap & Breather Assembly—includes F-3 & F-4 .....	1
F-3	N.S.S.	Cap—front bearing (70-19-42) .....	1
F-4	312268	Breather .....	1
F-5	545001-7	Bolt— $\frac{1}{2}$ "—13 x $1\frac{1}{8}$ " hex head self locking .....	6
F-6	70-223-14	Gasket—front bearing retaining cap .....	1
F-7	311726X	Cap & Oil Seal Assembly—includes F-8 & F-9 .....	1
F-8	70-19-39	Cap—front bearing retaining .....	1
F-9	82-463-4	Oil Seal .....	1
F-10	545028-1	Bolt— $\frac{7}{16}$ "—14 x $1\frac{5}{8}$ " hex head self locking .....	6
<b>MAINSHAFT REAR BEARING CAP GROUP</b>			
H-1	70-223-20	Gasket .....	1
H-2	See Tab Bills	Cap, Bushing & Seal Assembly—includes H-3 thru H-6 .....	1
H-3	N.S.S.	Cap & Bushing Assembly .....	1
H-4	N.S.S.	Cap .....	1
H-5	81-475-1	Bushing—speedometer .....	1
H-6	82-463-4	Oil Seal .....	1
H-7	545001-10	Bolt— $\frac{1}{2}$ "—13 x $2\frac{3}{4}$ " hex head self locking .....	2
"	545001-3	Bolt— $\frac{1}{2}$ "—13 x $1\frac{3}{4}$ " hex head self locking .....	4
▲ H-8	481-1	Gasket—speedometer cover .....	1
▲ H-9	480-1	Cover—speedometer .....	1
H-10	500357-10	Washer— $\frac{5}{16}$ " lock .....	2
H-11	500397-6	Bolt— $\frac{5}{16}$ "—18 x $\frac{5}{8}$ " hex head .....	2
H-12	See Tab Bills	Gear—speedometer driven .....	1
H-13	See Tab Bills	Sleeve—speedometer driven gear .....	1
N.S.	44-539-1	Cap—speedometer driven gear sleeve dust (optional) .....	1
<i>With Bendix Brake</i>			
H-1	70-223-22	Gasket .....	1
H-7	545001-3	Bolt— $\frac{1}{2}$ "—13 x $1\frac{3}{4}$ " hex head self locking .....	5
"	545008-3	Bolt— $\frac{5}{8}$ "—11 x $1\frac{3}{4}$ " hex head self locking .....	2
"	263-V	Stud— $\frac{1}{2}$ "—13 & 20 x $3\frac{7}{16}$ " .....	1
N.S.	500371-5	Nut— $\frac{1}{2}$ "—20 .....	1
N.S.	500414-11	Bolt—brake backing plate ( $\frac{5}{8}$ "—18 x $1\frac{3}{4}$ ") .....	4
N.S.	500647-1	Nut—backing plate bolt ( $\frac{5}{8}$ "—18) .....	4
N.S.	918-420-1	Tube—oil drain .....	1
<b>COUNTERSHAFT REAR BEARING CAP GROUP</b>			
J-1	70-223-28	Gasket .....	1
J-2	70-22-8	Cap .....	1
J-3	545002-4	Bolt— $\frac{3}{8}$ "—16 x $1\frac{1}{8}$ " hex head self locking .....	4

N.S.—Not Shown

N.S.S.—Not Sold Separately

▲ Not required when Speedometer Driven Gear is used.